

Adjustable ball-type nozzles

Clip Eyelet type



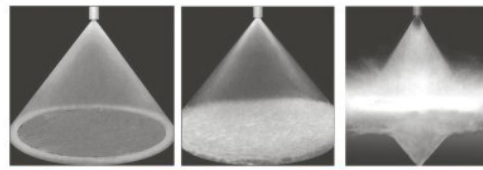
26988 series 27988 series

Thread type

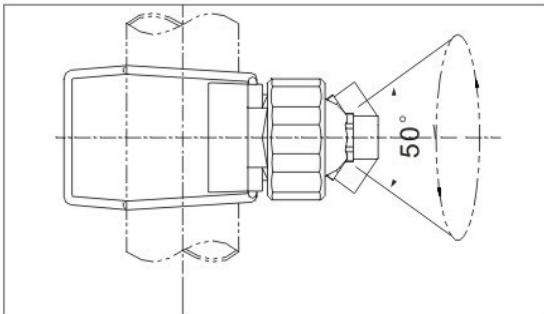


155 series

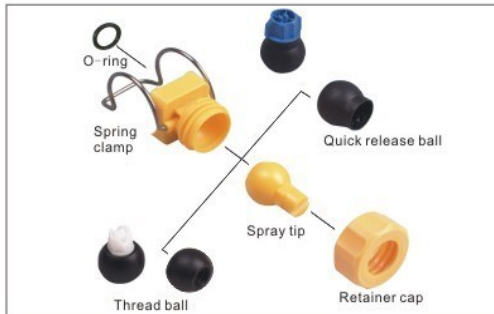
SPRAY PATTERN



Hollow cone Solid cone Flat fan



Ball type spray tip



Retaining cap

SPECIFICATION

Type	Clamp size	Clamp (Pipe) Outer Dia.(mm)	Pipe orifice Dia.(mm)
26988/ 27988	1	32-35	14
	1-1/4	38-43	16
	1-1/2	44-51	18
	2	54-60	20
155	Pipe size		
	1/8	—	—
	1/4	—	—
	3/8	—	—
	1/2	—	—

MATERIAL CHARATERICS

Parts	Material
Retaining cap	Fiber glass reinforced PP(25% fiber) with maximum temperature of 82
Spray tip	good performance on chemical resistance
Nozzle body	Carbon fiber glass reinforced PP(40% fiber) with maximum temperature of 120
	good performance on chemical resistance and abrasion resistance
Spring clamp	Hardened 304 stainless steel
O-ring	Butadiene acrylonitrile rubber
	Fluorine rubber



PERFORMANCE DATE

AT hollow cone spray tip

Tip No.	Capacity (liters per minute)								Spray angle		
	0.3bar	0.7bar	1bar	1.5bar	2bar	3bar	4bar	0.5bar	1.5bar	4bar	
AT15-30.1	6.2	8.8	10.4	12.6	14.5	17.6	20.2	46°	49°	51°	
AT25-30.1	7.5	10.7	12.7	15.4	17.6	21.4	24.6	45°	47°	50°	
AT55-50.1	13.5	19	22.7	27.8	32	39.2	45.2	38°	46°	48°	
AT55-50.3	13.5	19	22.7	27.6	31.8	38.7	44.4	75°	45°	76°	

CT flat fan spray tip

Tip No.(Spray angle at 3bar)						Capacity (liters per minute)							
15°	25°	40°	50°	65°	80°	0.3bar	0.7bar	1bar	1.5bar	2bar	3bar	4bar	
—	—	—	—	CT6510	CT8010	1.2	1.9	2.3	2.8	3.2	3.9	4.6	
—	—	CT4020	CT5020	CT6520	—	2.5	3.8	4.6	5.6	6.5	7.9	9.1	
—	CT2530	CT4030	CT5030	CT6530	—	3.7	5.7	6.8	8.4	9.7	11.8	13.7	
—	—	CT4040	CT5040	CT6540	CT8040	5.0	7.6	9.1	11.2	12.9	15.8	18.2	
CT550	—	CT4050	CT5050	CT6550	—	6.2	9.5	11.4	14	16.1	19.7	23	
—	CT2560	CT4060	CT5060	CT6560	CT87060	7.5	11.4	13.7	16.7	19.3	24	27	
CT1570	CT1570	CT4070	CT5070	CT6570	CT8070	8.7	13.3	16	19.5	23	28	32	
CT15100	CT15100	CT40100	CT50100	CT65100	CT80100	2.5	19.1	23	28	32	39	46	

BT full cone spray tip

Tip No.	Capacity (L/Min)					Spray angle	
	0.7bar	1.5bar	2bar	3bar	4bar	1.5bar	4bar
BT6	2.3	3.2	3.7	4.5	5.1	74°	68°
BT6.5	2.5	2.8	4.0	4.8	5.5	50°	48°
BT8	3.2	3.6	5.2	6.3	7.3	69°	71°
BT10	3.8	4.5	6.4	7.9	9.1	67°	64°
BT12.5	4.8	6.8	7.7	9.3	10.6	74°	68°
BT15	5.7	6.7	9.3	10.2	12.7	67°	61°
BT25	9.5	13.5	15.4	18.6	21	67°	63°
BT30	11.4	13.4	18.1	22	25	90°	83°
BT50	19.1	27	31	37	42	94°	88°



Quick release ball specification

Quick release ball type	Connection object
BLQ	Quick release ball



Thread ball specification

Thread ball type	Thread size
BL1	1/8
BL2	1/4
BL3	3/8

QC quick release flat fan spray tip

Tip No. (Spray angle at 3bar)					Capacity (liters per minute)									
50°	65°	80°	95°	110°	0.3bar	1bar	2bar	3bar	4bar	5bar	6bar	7bar	14bar	
QC5001	QC6501	QC8001	QC9501	QC11001	0.12	0.23	0.32	0.39	0.46	0.51	0.56	0.6	0.85	
QC5002	QC6502	QC8002	QC9502	QC11002	0.25	0.45	0.64	0.79	0.91	1.0	1.1	1.2	1.7	
QC5003	QC6503	QC8003	QC9503	QC11003	0.37	0.69	0.97	1.2	1.4	1.5	1.7	1.8	2.6	
QC5004	QC6504	QC8004	QC9504	QC11004	0.5	0.92	1.3	1.6	1.8	2.0	2.2	2.4	3.4	
QC5005	QC6505	QC8005	QC9505	QC11005	0.62	1.1	1.6	2.0	2.3	2.5	2.8	3.0	4.3	
QC5006	QC6506	QC8006	QC9506	QC11006	0.75	1.3	1.9	2.4	2.7	3.1	3.3	3.6	5.1	
QC5008	QC6508	QC8008	QC9508	QC11008	1.0	1.8	2.6	3.2	3.6	4.1	4.5	4.8	6.8	
QC5010	QC6510	QC8010	QC9510	QC11010	1.2	2.3	3.2	3.9	4.6	5.1	5.6	6.0	8.5	
QC5015	QC6515	QC8015	QC9515	QC11015	1.9	3.4	4.8	5.9	6.8	7.6	8.4	9.0	12.8	
QC5020	QC6520	QC8020	QC9520	QC11020	2.5	4.6	6.5	7.9	9.1	10.2	11.2	12.1	17.1	
QC5030	QC6530	QC8030	QC9530	QC11030	3.7	6.8	9.7	11.8	13.7	15.3	16.7	18.1	26	

QB quick release full cone spray tip

Tip No.	Capacity (liters per minute)										Spray angle		
	0.5bar	0.7bar	1.5bar	2bar	3bar	4bar	5bar	6bar	7bar	10bar	0.5bar	1.5bar	6bar
QB1	0.25	0.38	0.54	0.62	0.74	0.85	0.94	1.0	1.1	1.3	—	58°	53°
QB2	0.65	0.76	1.0	1.2	1.5	1.7	1.9	2.0	2.2	2.6	43°	50°	46°
QB3	0.95	1.1	1.6	1.9	2.2	2.5	2.8	3.1	3.3	3.9	52°	65°	59°
QB3.5	1.1	1.3	1.9	2.2	2.6	3.0	3.3	3.6	3.9	4.5	43°	50°	46°
QB5	1.6	1.9	2.7	3.1	3.7	4.2	4.7	5.1	5.5	6.5	52°	65°	59°
QB6.5	2.1	2.5	3.5	4.0	4.8	5.5	6.1	6.7	7.1	8.4	45°	50°	46°
QB10	3.3	3.8	5.4	6.2	7.4	8.5	9.4	10.2	11	13	58°	67°	61°

QD flat fan spray tip

Nozzle Inlet Conn.				Tip No. (Spray angle at 3bar)			Equivalent orifice Dia. (mm)	Capacity (liters per minute)									
1/4	3/8	1/2	3/4	40°	50°	65°		1bar	2bar	3bar	4bar	5bar	6bar	7bar	10bar		
●				QD4010	QD5010	QD6510	2.0	2.3	3.2	3.9	4.6	5.1	5.6	6.0	7.2		
●				QD4015	QD5015	QD6515	2.4	3.4	4.8	5.9	6.8	7.6	8.4	9.0	10.8		
●				QD4020	QD5020	QD6520	2.8	4.6	6.5	7.9	9.1	10.2	11.2	12.1	14.4		
●				QD4030	QD5030	QD6530	3.6	6.8	9.7	11.8	13.7	15.3	16.7	18.1	22		
●	●			QD4040	QD5040	QD6540	4.0	9.1	12.9	15.8	18.2	20	22	24	29		
●	●			QD4050	QD5050	QD6550	4.4	11.4	16.1	19.7	23	25	28	30	36		
●	●			QD4060	QD5060	QD6560	4.8	13.7	19.3	24	27	31	33	36	43		
●	●	●		QD4070	QD5070	QD6570	5.2	16	23	28	32	36	39	42	50		
●	●	●	●	QD40100	QD50100	QD65100	6.4	23	32	39	46	51	56	60	72		
●	●	●	●	QD40120	QD50120	—	6.7	27	39	47	55	61	67	72	86		
●	●	●	●	QD40150	QD50150	QD65150	7.5	34	48	59	68	76	84	90	108		
●	●	●	●	QD40200	QD50200	QD65200	8.7	46	64	79	91	102	112	121	144		
●	●	●	—	QD50400	—	—	12.7	91	139	158	182	205	225	240	290		
●	●	●	—	QD50500	—	—	13.1	114	161	197	230	255	280	300	360		
●	●	●	—	QD50580	—	—	13.9	132	187	230	265	295	325	350	420		
●	●	●	—	QD50750	—	—	15.9	171	240	295	340	385	420	455	540		
●	●	●	—	QD501000	—	—	18.3	230	325	395	455	510	560	610	720		
●	●	●	—	QD5015000	—	—	22.6	340	485	600	690	770	840	910	1080		
●	●	●	—	QD502000	—	—	25.2	460	650	790	910	1020	1120	1210	1440		

ORDERING INFORMATION

