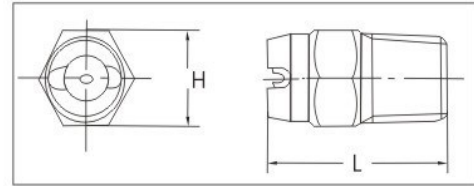


# CT/DCT high pressure flat fan ceramic core nozzles

## DESIGN FEATURES

When using the product, the nozzle using life greatly improved, reducing the production lose because of machine stop working.

Body material :Brass ,SS  
Core material: Ceramic  
Standard pressure :150kg/cm2

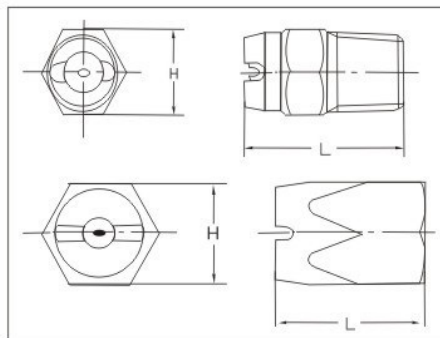
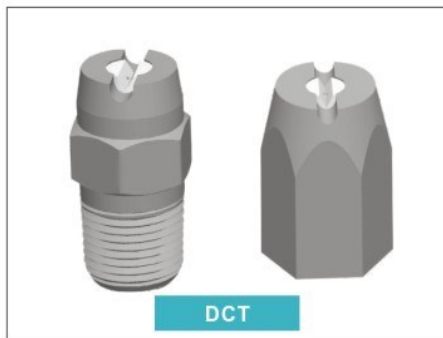


## DIMENSIONS

| Inlet connection size | Dimension (mm) |    | Weight (g) |    |
|-----------------------|----------------|----|------------|----|
|                       | L              | H  | Brass      | SS |
| 1/8BSP(M)             | 22             | 12 | 11         | 10 |
| 1/4BSP(M)             | 26             | 14 | 23         | 21 |

## PERFORMANCE DATA

| 15°     | 25°     | 30°     | 40°     | 65°     | Connect thread size | Max hole Dia(mm) | Capacity (liters per minute) |       |       |       |       |       |       |       |       |       |
|---------|---------|---------|---------|---------|---------------------|------------------|------------------------------|-------|-------|-------|-------|-------|-------|-------|-------|-------|
|         |         |         |         |         |                     |                  | 10bar                        | 20bar | 25bar | 30bar | 35bar | 40bar | 50bar | 60bar | 70bar | 80bar |
| CT1543  | CT2543  | CT3043  | CT4043  | CT6543  | 1/8,1/4             | 0.7              | 0.48                         | 3.51  | 3.93  | 4.3   | 4.64  | 4.96  | 5.55  | 6.08  | 6.56  | 7.02  |
| CT1549  | CT2549  | CT3049  | CT4049  | CT6549  |                     | 0.7              | 2.83                         | 4     | 4.47  | 4.9   | 5.29  | 5.66  | 6.32  | 6.93  | 7.48  | 8     |
| CT1556  | CT2556  | CT3056  | CT4056  | CT6556  |                     | 0.8              | 3.23                         | 4.57  | 5.11  | 5.6   | 6.05  | 6.46  | 7.22  | 7.92  | 8.55  | 9.14  |
| CT1562  | CT2562  | CT3062  | CT4062  | CT6562  |                     | 0.8              | 3.58                         | 5.06  | 5.66  | 6.2   | 6.7   | 7.16  | 8     | 8.77  | 9.47  | 10.1  |
| CT1568  | CT2568  | CT3068  | CT4068  | CT6568  |                     | 0.9              | 3.93                         | 5.55  | 6.21  | 6.8   | 7.34  | 7.85  | 8.77  | 9.61  | 10.3  | 11.1  |
| CT1574  | CT2574  | CT3074  | CT4074  | CT6574  |                     | 0.9              | 4.27                         | 6.04  | 6.71  | 7.4   | 7.99  | 8.54  | 9.55  | 10.4  | 11.3  | 12    |
| CT1580  | CT2580  | CT3080  | CT4080  | CT6580  |                     | 1                | 4.62                         | 6.53  | 7.3   | 8     | 8.64  | 9.23  | 10.3  | 11.3  | 12.2  | 13    |
| CT1587  | CT2587  | CT3087  | CT4087  | CT6587  |                     | 1.1              | 5.02                         | 7.1   | 7.94  | 8.7   | 9.4   | 10    | 11.2  | 12.3  | 13.2  | 14.2  |
| CT1593  | CT2593  | CT3093  | CT4093  | CT6593  |                     | 1.1              | 5.37                         | 7.59  | 8.49  | 9.3   | 10    | 10.7  | 12    | 13.1  | 14.2  | 15.1  |
| CT1599  | CT2599  | CT3099  | CT4099  | CT6599  |                     | 1.1              | 5.72                         | 8.08  | 9.04  | 9.99  | 10.7  | 11.4  | 12.8  | 14    | 15.1  | 16.1  |
| CT15111 | CT25111 | CT30111 | CT40111 | CT65111 |                     | 1.2              | 6.41                         | 9.06  | 10.1  | 11.1  | 12    | 12.3  | 14.3  | 15.7  | 16.9  | 18.1  |
| CT15124 | CT25124 | CT30124 | CT40124 | CT65124 |                     | 1.3              | 7.16                         | 10.1  | 11.3  | 12.4  | 13.4  | 14.3  | 16    | 17.5  | 18.9  | 20.2  |



## DIMENSIONS

| Inlet connection size | Dimension(mm) |    | Weight |
|-----------------------|---------------|----|--------|
|                       | L             | H  | Brass  |
| 1/4BSP(M)             | 31.5          | 14 | 21     |
| 1/4BSP(F)             | 34            | 22 | 75     |

## DESIGN FEATURES

This nozzle is ideal for high impact washing net edge and lifting edge.

## PERFORMANCE DATA

| Spray angle (3.0kg/cm <sup>2</sup> ) | Capacity size | Spray angle | Capacity(liters per minute) |       |       |       |       |       |       |        |        |        |
|--------------------------------------|---------------|-------------|-----------------------------|-------|-------|-------|-------|-------|-------|--------|--------|--------|
|                                      |               |             | 20bar                       | 30bar | 40bar | 50bar | 60bar | 70bar | 80bar | 100bar | 120bar | 150bar |
| DCT1/4(M)<br>DCT1/4(F)               | 12166         | 12°         | 10.5                        | 12.8  | 14.8  | 16.6  | 18.2  | 19.6  | 21    | 23.5   | 25.7   | 28.3   |
|                                      | 12192         |             | 12.1                        | 14.8  | 17.2  | 19.2  | 21    | 22.7  | 24.3  | 27.1   | 29.7   | 33.3   |
|                                      | 12221         |             | 14.2                        | 17.3  | 20    | 22.4  | 24.5  | 26.5  | 28.3  | 31.7   | 34.7   | 38.8   |
|                                      | 12240         |             | 15.2                        | 18.6  | 21.5  | 24    | 26.3  | 28.4  | 30.3  | 33.9   | 37.2   | 41.6   |
|                                      | 12287         |             | 18.1                        | 22.3  | 25.7  | 28.7  | 31.4  | 34    | 36.3  | 40.6   | 44.5   | 49.7   |
|                                      | 12319         |             | 20.2                        | 24.7  | 28.5  | 31.9  | 34.9  | 37.7  | 40.3  | 45.1   | 49.4   | 55.3   |

## ORDERING INFORMATION

CT ——— 1/4 ——— CT6543 ——— SS ——— Ceramic  
 ↓                      ↓                      ↓                      ↓                      ↓  
 Nozzle code    Inlet Conn.Size    Capacity Size    Body material    Core material  
 No.