

YSE-series 2-way(NO) high pressure solenoid valve

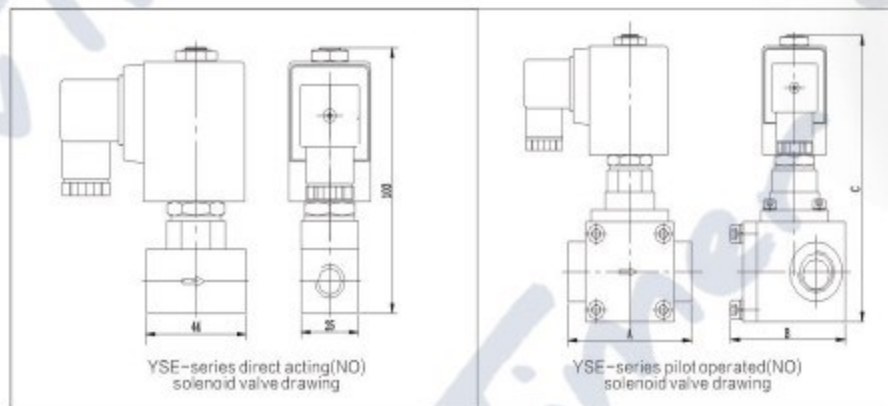
YSE-series (NO) solenoid valve open/close status



YSE-series (NO) high pressure solenoid valve specification table

Model	Orifice size (mm)	Interface size	Cv	Working pressure (bar)		Dimension L x W x H A x B x C (mm)	Normal order code	Weight (kg)
				AC 220V	DC 24V			
YSE-1K	1	1/4" or 3/8"	0.04	0~150	0~150	44×25×104	YSE-1K - AC220V	0.75
YSE-1.5K	1.5		0.08	0~65	0~65	44×25×104	YSE-1.5K - AC220V	0.75
YSE-2K	2		0.15	0~35	0~35	44×25×104	YSE-2K - AC220V	0.75
YSE-2.5K	2.5		0.20	0~20	0~20	44×25×104	YSE-2.5K - AC220V	0.75
YSE-3K	3		0.25	0~15	0~15	44×25×104	YSE-3K - AC220V	0.75
YSE-10K	10	3/8"	3.5	6~65	6~65	60×55×131	YSE-10K - AC220V	1.30
YSE-15K	15	1/2"	4.7	6~65	6~65	70×65×143	YSE-15K - AC220V	1.65
YSE-20K	20	3/4"	7.0	6~65	6~65	80×74×148	YSE-20K - AC220V	2.15
YSE-25K	25	1"	11	6~65	6~65	90×87×158	YSE-25K - AC220V	2.75

YSE-series (NO) high pressure solenoid valve drawing



YSI-series 2-Way stainless steel pilot operated(NC) high pressure solenoid valve Dn15~50mm



Working medium: water, liquid, air, light oil (viscosity≤20cst)

Medium temperature: 0 ~ 120 °C

Working pressure: 6 ~ 100bar

Working type: pilot operated

Valvebody material: SS304

Sealing material: PTFE

Interface: G thread NPT thread

Working voltage: AC220 ~ 240V AC110V 50/60Hz 28VA DC24 20W I P65 H degree voltage could be custom made

Options:

LED light connector ES low power energy saving coil (AC220V 4VA DC24V 4W)

Rc thread

Order code

YSI	Orifice code	J	Es	F	Voltage
Model	15: 1/2"	J ₁ SS 304	N ₁ : plastic seal Es: ES low power coil	Blank: G thread T: NPT thread F: flange	AC220V AC110V DC24V DC12V
	20: 3/4"				
	25: 1"				
	32: 1 1/4"				
	40: 1 1/2"				
	50: 2"				

YSI-series 2-way SS piston(NO) high pressure solenoid valve DN15~50mm



YSI-50JK



YSI-25JFK

Working medium : liquid, air, light oil (viscosity \leq 20cst)
 Medium temperature; 0 ~ 120 °C
 Working pressure; DN15~25 6~50bar DN32~50 6~40bar
 Working type; pilot operated
 Valvebody material; SS304
 Sealing material; PTFE
 Interface; Gthread NPT thread flange
 Working voltage; AC220~240V AC110V 50/60Hz 28VA DC24/12V 20W IP65 H degree
 voltage could be custom made

Options:
 LED light connector Es low power energy saving coil (AC220V 4VA DC24V 4W) Rc thread

Order code

YSI	Orifice code	J	K	Es	F	Working voltage
Model	15: 1/2" 20: 3/4" 25: 1" 32: 1 1/4" 40: 1 1/2" 50: 2"	J ₂ stainless steel	K: NO	N: plastic seal Es: ES low power coil	Blank: G thread T: NPT thread F: flange	AC220V AC110V DC24V DC12V

YSI-series 2-way piston(NO) high pressure solenoid valve

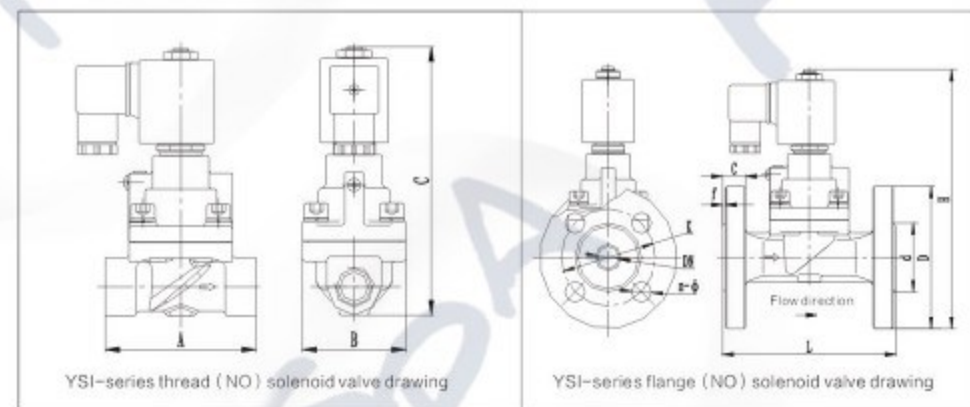
YSI-series (NO) high pressure solenoid valve specification table

Model	Orifice Size (mm)	Interface size	Cv	Working pressure (bar)		L×W×H A×B×C (mm)	Normal order code Plastic seal AC220V G thread	Weight (Kg)
				AC 220V	DC 24V			
YSI-15J	15	1/2"	4.8	6~100	6~50	80×55×140	YSI-15JK-AC220V	1.1
YSI-20J	20	3/4"	7.6	6~100	6~50	90×60×153	YSI-20JK-AC220V	1.6
YSI-25J	25	1"	12	6~100	6~50	100×68×162	YSI-25JK-AC220V	2.1
YSI-32J	32	1 1/4"	20	6~80	6~40	110×80×170	YSI-32JK-AC220V	2.6
YSI-40J	40	1 1/2"	30	6~80	6~40	130×90×185	YSI-40JK-AC220V	3.7
YSI-50J	50	2"	48	6~80	6~40	150×108×201	YSI-50JK-AC220V	5.3

YSI-series flange (NO) high pressure solenoid valve dimension table

Model	PN=2.5MPa GB/T9113.1-2000			Flange connection dimension (mm)						Weight (Kg)
	DN	L	D	H	K	d	C	f	n-φ	
YSI-15JFK	15	120	95	175	65	46	14	2	4-φ14	2.5
YSI-20JFK	20	130	105	188	75	56	16	2	4-φ14	3.5
YSI-25JFK	25	140	115	210	85	65	16	2	4-φ14	4.3
YSI-32JFK	32	160	140	218	100	76	18	2	4-φ18	6.4
YSI-40JFK	40	170	150	232	110	84	18	2	4-φ18	7.8
YSI-50JFK	50	200	165	258	125	99	20	2	4-φ18	11.1

YSI-series thread and flange connection (NO) solenoid valve drawing



YSI-series 2-way piston(NC) high pressure solenoid valve

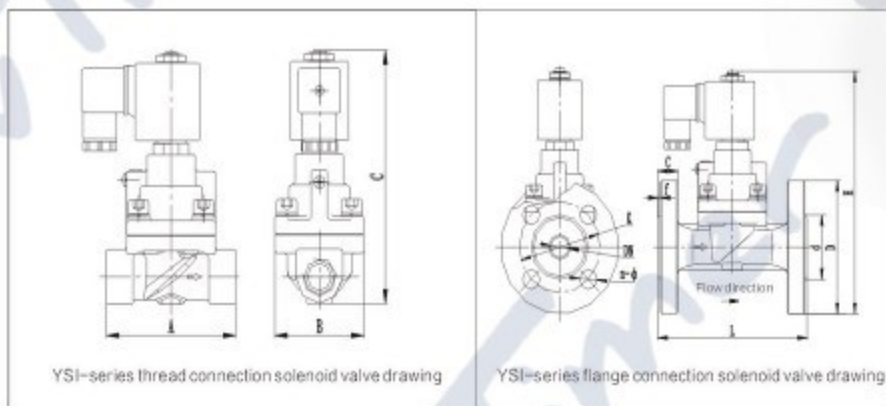
YSI-series (NC) specification table (use ES low power coil, power will be 1/4 of normal coil)

Model	Orifice Size (mm)	Interface size	Cv	Working pressure (bar)		L × W × H A × B × C (mm)	Normal order code Plastic seal AC220V G thread	Weight (Kg)
				AC 220V	DC 24V			
YSI-15J	15	1/2"	4.8	6~100	6~100	80×55×140	YSI-15J-AC220V	1.1
YSI-20J	20	3/4"	7.6	6~100	6~100	90×60×153	YSI-20J-AC220V	1.6
YSI-25J	25	1"	12	6~100	6~100	100×68×162	YSI-25J-AC220V	2.1
YSI-32J	32	1 1/4"	20	6~80	6~80	110×80×170	YSI-32J-AC220V	2.6
YSI-40J	40	1 1/2"	30	6~80	6~80	130×90×185	YSI-40J-AC220V	3.7
YSI-50J	50	2"	48	6~80	6~80	150×108×201	YSI-50J-AC220V	5.3

YSI-series flange (NC) high pressure solenoid valve dimension table

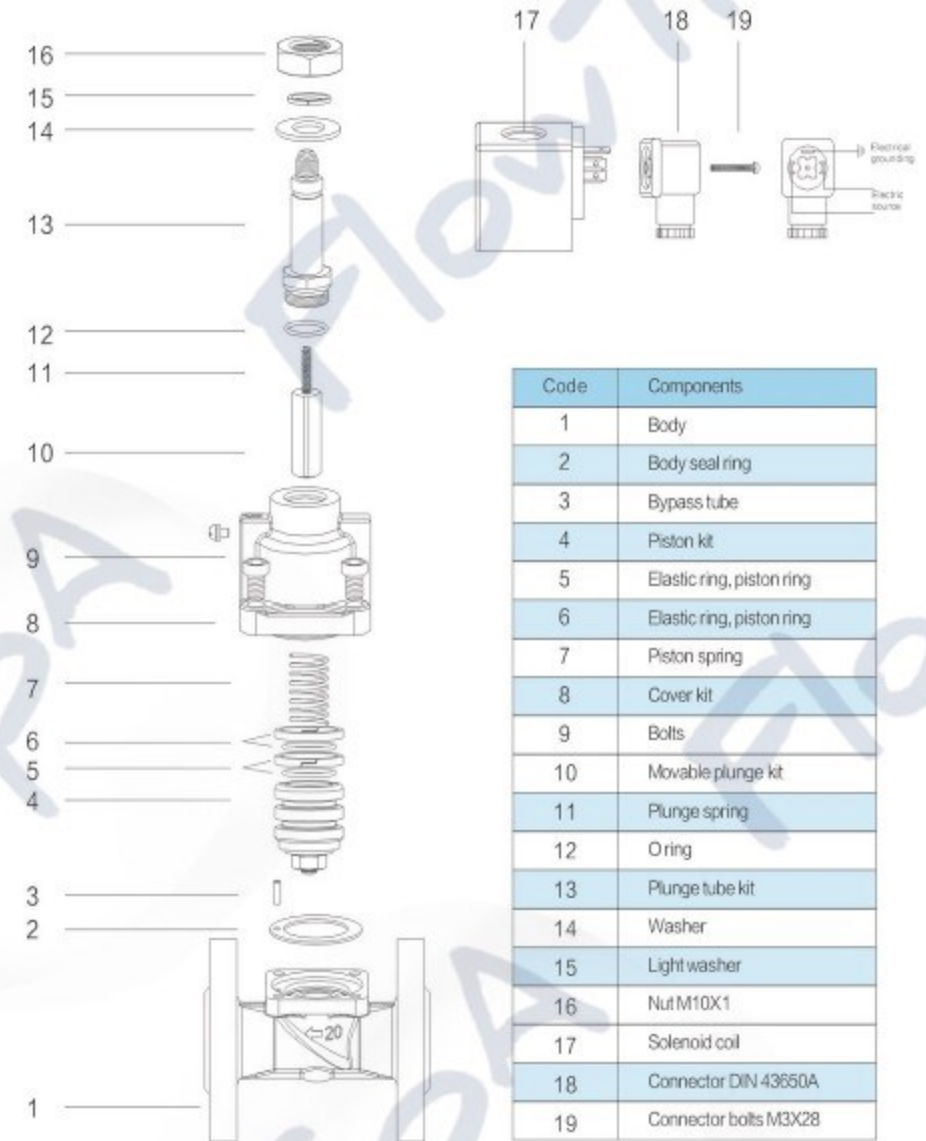
Model	PN=2.5MPa GB/T9113.1-2000		Flange connection dimension (mm)							Weight (Kg)
	DN	L	D	H	K	d	C	f	n-φ	
YSI-15JF	15	120	95	175	65	46	14	2	4-φ14	2.5
YSI-20JF	20	130	105	188	75	56	16	2	4-φ14	3.5
YSI-25JF	25	140	115	210	85	65	16	2	4-φ14	4.3
YSI-32JF	32	160	140	218	100	76	18	2	4-φ18	6.4
YSI-40JF	40	170	150	232	110	84	18	2	4-φ18	7.8
YSI-50JF	50	200	165	258	125	99	20	2	4-φ18	11.1

YSI-series thread and flange connection(NC) solenoid valve drawing



YSI-series 2-way stainless steel piston(NC) high pressure solenoid valve

Components table



Code	Components
1	Body
2	Body seal ring
3	Bypass tube
4	Piston kit
5	Elastic ring, piston ring
6	Elastic ring, piston ring
7	Piston spring
8	Cover kit
9	Bolts
10	Movable plunge kit
11	Plunge spring
12	O ring
13	Plunge tube kit
14	Washer
15	Light washer
16	Nut M10X1
17	Solenoid coil
18	Connector DIN 43650A
19	Connector bolts M3X28