

## ZCM-series 2-way gas solenoid valve 1/8" ~ 2" DN3~100mm



ZCM-3

ZCM-25N

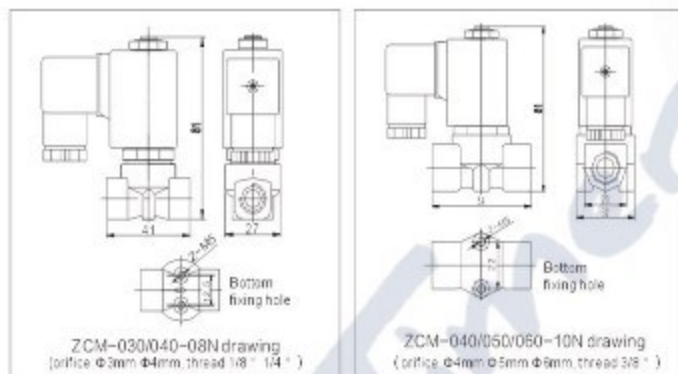
ZCM-65CF

Working medium: gas, low pressure air  
 Medium temperature: -5~60°C  
 Working pressure: 0~4 bar (details see specification table)  
 Working type: NC DN3~6 direct acting DN10~100 semi direct acting NO DN3~50  
 Valvebody material: brass SS304 cast iron  
 Interface: Gthread NPTthread flange  
 Sealing material: NBR  
 Working voltage: AC220~240V AC110V 50/60Hz DC24V/12V  
 DN3~6 AC 22VA DC 13W DN15~25mm AC 20VA DC 20W  
 DN32~50 AC 45VA DC 30W DN65~100 AC 50VA DC 30W

Options:  
 Sealing materia: VITON Rc thread  
 Explosion-proof coil: flame-proof type ExdEIBT4 encapsulation type Exmb/IBT4

### Order code

ZCM	Orifice code	J	N	K	F	V	Voltage
Model	30: 3mm 40: 4mm 40: 40mm 50: 50mm	Blank: brass J: SS304 C: cast iron	Blank: iron coil N: plastic seal	Blank: NC K: NO	Blank: G thread T: NPT thread F: flange	Blank: NBR V: VITON	AC220V AC110V DC24V

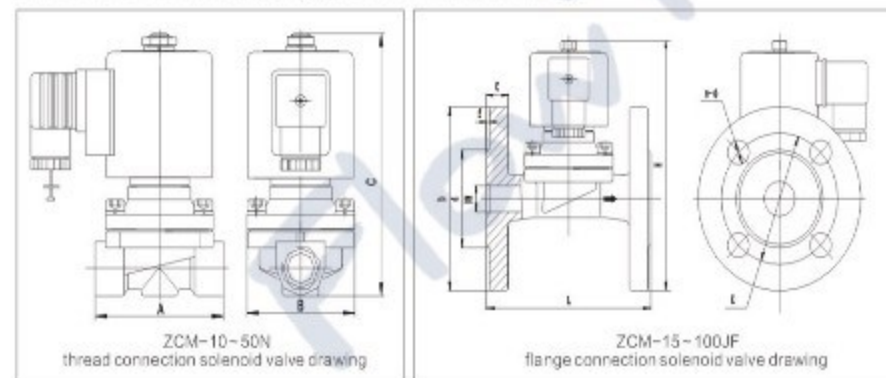


ZCM-030/040-08N drawing  
(orifice  $\phi$ 3mm  $\phi$ 4mm thread 1/8" 1/4")

ZCM-040/050/060-10N drawing  
(orifice  $\phi$ 4mm  $\phi$ 5mm  $\phi$ 6mm thread 3/8")

## ZCM-series 2-way gas solenoid valve

### ZCM-series semi direct acting gas solenoid valve drawing



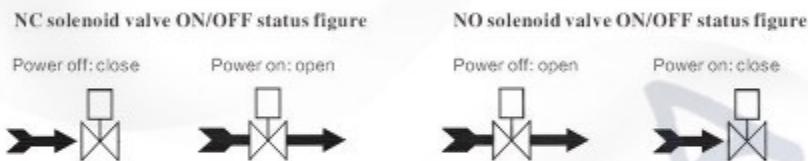
ZCM-10-50N  
thread connection solenoid valve drawing

ZCM-15-100JF  
flange connection solenoid valve drawing

### ZCM-series flange connection solenoid valve dimension table

Model	PN=1.6MPa GB/T9113.1-2000 flange connection dimension (mm)								
	DN	L	D	H	K	d	C	f	n- $\phi$
ZCM-15JF	18	106	95	141	65	46	14	2	4- $\phi$ 14
ZCM-20JF	18	106	105	143	75	56	16	2	4- $\phi$ 14
ZCM-25JF	25	135	115	166	85	65	16	3	4- $\phi$ 14
ZCM-32JF	32	142	140	204	100	76	18	3	4- $\phi$ 18
ZCM-40JF	40	150	150	211	110	84	18	3	4- $\phi$ 18
ZCM-50JF	50	184	165	227	125	99	20	3	4- $\phi$ 18
ZCM-65JF	65	256	185	318	145	118	20	3	4- $\phi$ 18
ZCM-80JF	80	277	200	327	160	132	20	3	8- $\phi$ 18
ZCM-100JF	100	350	220	345	180	156	22	3	8- $\phi$ 18
ZCM-40CF	40	165	150	215	110	84	18	3	4- $\phi$ 18
ZCM-50CF	50	195	165	240	125	99	20	3	4- $\phi$ 18
ZCM-65CF	65	258	185	330	145	118	20	3	4- $\phi$ 18
ZCM-80CF	80	280	200	330	160	132	20	3	8- $\phi$ 18
ZCM-100CF	100	354	220	350	180	156	22	3	8- $\phi$ 18

ZCM-series flange connection 2-way gas solenoid valve



ZCM-series solenoid valve specification table

Model	Orifice size (mm)	Interface size	Cv	Working pressure (bar)		Solenoid valve length×width×height A×B×C (mm)	Normal order code	Valve body material	
				AC220V	DC24V				
ZCM-030-06N	3	1/8"	0.25	0~4	0~4	41×30×75	ZCM-030-06N-AC220V	brass	
ZCM-030-08N	3	1/4"	0.25	0~4	0~4	41×30×75	ZCM-030-08N-AC220V		
ZCM-040-06N	4	1/8"	0.35	0~4	0~4	41×30×75	ZCM-040-06N-AC220V		
ZCM-040-08N	4	1/4"	0.35	0~4	0~4	41×30×75	ZCM-040-08N-AC220V		
ZCM-040-10N	4	3/8"	0.35	0~4	0~4	54×32×81	ZCM-040-10N-AC220V		
ZCM-050-10N	5		0.6	0~3	0~3	54×32×81	ZCM-050-10N-AC220V		
ZCM-060-10N	6		0.7	0~3	0~3	54×32×81	ZCM-060-10N-AC220V		
ZCM-10N	16	1/2"	2.1	0~4	0~4	68×56×117	ZCM-10N-AC220V		SS304
ZCM-15N	16		4.5	0~4	0~4	68×56×117	ZCM-15N-AC220V		
ZCM-20N	20	3/4"	7.5	0~4	0~4	73×56×123	ZCM-20N-AC220V		Cast iron
ZCM-25N	25	1"	12	0~4	0~4	100×74×135	ZCM-25N-AC220V		
ZCM-32	32	1 1/4"	22	0~2	0~2	110×85×154	ZCM-32-AC220V		
ZCM-40	40	1 1/2"	30	0~2	0~2	120×90×162	ZCM-40-AC220V		
ZCM-50	50	2"	48	0~2	0~2	185×112×185	ZCM-50-AC220V		
ZCM-15JF	18	Flange	7.2	0~4	0~4	106×95×141	ZCM-15JF-AC220V	SS304	
ZCM-20JF	18		7.2	0~4	0~4	106×105×143	ZCM-20JF-AC220V		
ZCM-25JF	25		12	0~4	0~4	135×115×166	ZCM-25JF-AC220V		
ZCM-32JF	32		22	0~2	0~2	142×140×204	ZCM-32JF-AC220V		
ZCM-40JF	40		30	0~2	0~2	150×150×211	ZCM-40JF-AC220V		
ZCM-50JF	50		48	0~2	0~2	184×165×227	ZCM-50JF-AC220V		
ZCM-65JF	65		55	0~2	0~2	256×185×318	ZCM-65JF-AC220V		
ZCM-80JF	80		85	0~2	0~2	277×200×327	ZCM-80JF-AC220V		
ZCM-100JF	100		129	0~2	0~2	350×220×345	ZCM-100JF-AC220V		
ZCM-40CF	40		30	0~2	0~2	165×150×215	ZCM-40CF-AC220V		Cast iron
ZCM-50CF	50	48	0~2	0~2	195×165×240	ZCM-50CF-AC220V			
ZCM-65CF	65	55	0~2	0~2	258×185×330	ZCM-65CF-AC220V			
ZCM-80CF	80	85	0~2	0~2	280×200×330	ZCM-80CF-AC220V			
ZCM-100CF	100	129	0~2	0~2	354×220×390	ZCM-100CF-AC220V			

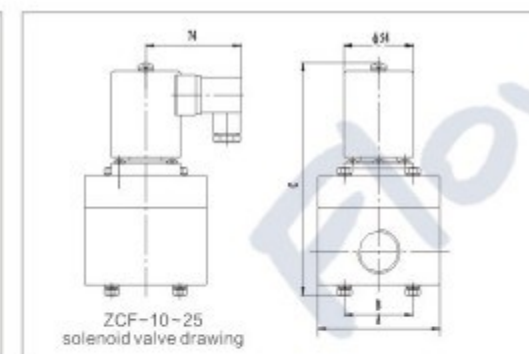
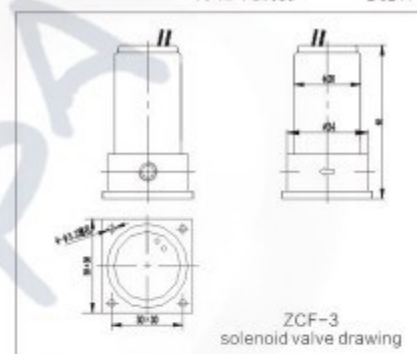
ZCF-series 2-way anti-corrosive solenoid valve 3/8" ~ 1"

Technical Parameters:

Working medium: acid, alkali, liquid, air  
 Medium temperature: -5 ~ 130 °C  
 Working pressure: 0 ~ 2 bar  
 (details see specification table)  
 Working type: direct acting (NC)  
 Valvebody material: PTFE  
 Sealing material: PTFE VITON  
 Working voltage: ZCF-3 DC24V 6.5W  
 ZCF-5 AC220~240V AC110V 50/60Hz 20VA DC24V 20W DC24V 20W  
 ZCF-10~25 AC220~240V AC110V 50/60Hz 50VA DC24/12V 33W



order code



ZCF-series solenoid valve specification table

Model	Orifice size (mm)	Interface size	Cv	L×W×H (mm)	Working pressure (bar)	Normal order code	Weight (Kg)
ZCF-3	3	M8×1	0.22	38×38×63	0~2	ZCF-3-DC24V	0.2
ZCF-5	5	G1/4"	0.29	48×94	0~4	ZCF-5-AC220V	0.5
ZCF-10	11	G3/8"	3.3	69×125	0~2	ZCF-10-AC220V	1.6
ZCF-15	11	G1/2"	3.3	69×135	0~2	ZCF-15-AC220V	1.6
ZCF-20	11	G3/4"	3.3	72×143	0~1	ZCF-20-AC220V	1.8
ZCF-25	11	G1"	3.3	72×149	0~1	ZCF-25-AC220V	1.8